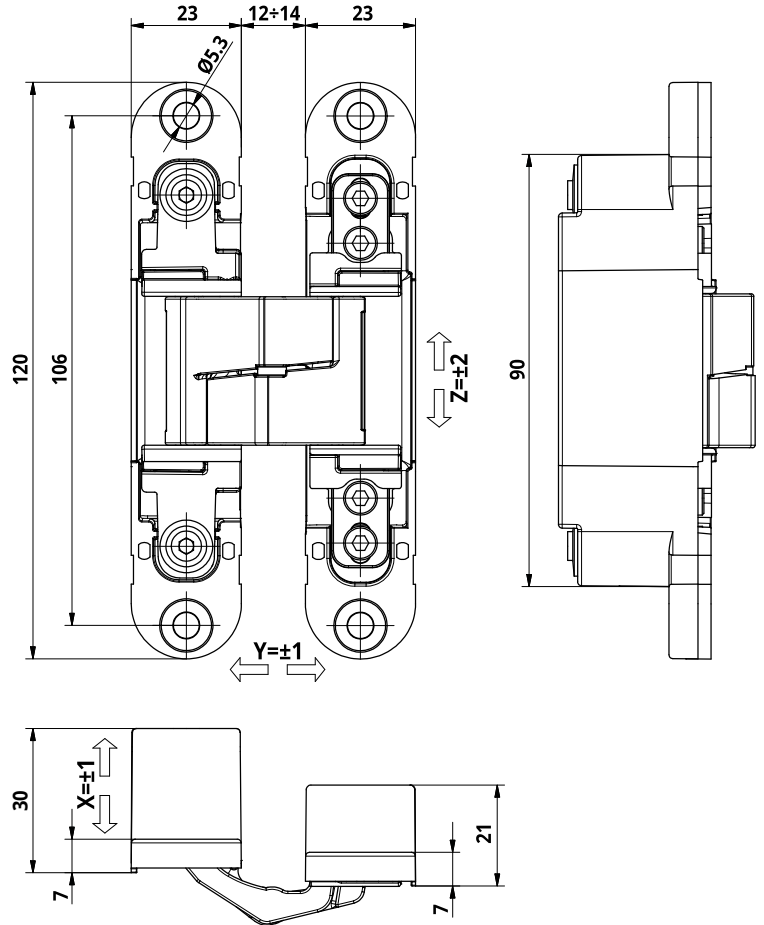
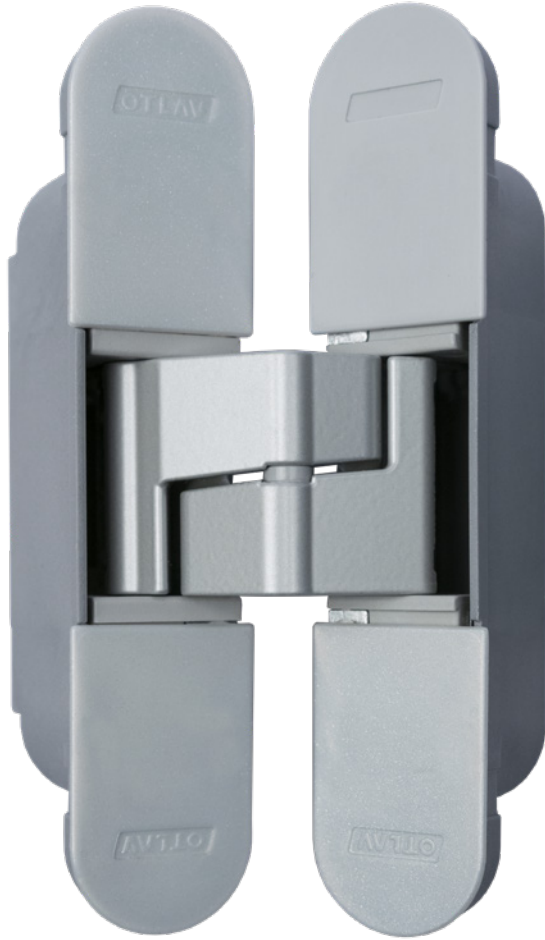


TECHNICAL SHEET IE236

Concealed hinge for flush doors



Technical features

- The hinge is suitable to be installed on doors and frames in wood and aluminium
- Material of hinge: zamak.
- Material of casing: thermoplastic polymer.
- Aluminum or nylon caps available to conceal the screws.
- The hinge can be fitted right and left.
- Equipped with 3-way adjustments that can be settled by means of just one 3 mm hex-spanner.
- Compatible with millings of IN230 and IN235.

Technical data

Capacity*	40 Kg.
Hinge height	120 mm
width shutter side	23 mm
width frame side	23 mm
Depth shutter side	30 mm
Depth frame side	21 mm
Door opening angle	180°
Side adjustment	± 1 mm
Height adjustment	± 2 mm
Depth adjustment	± 1 mm

* Tested with 3 hinges on 90x210 cm doors