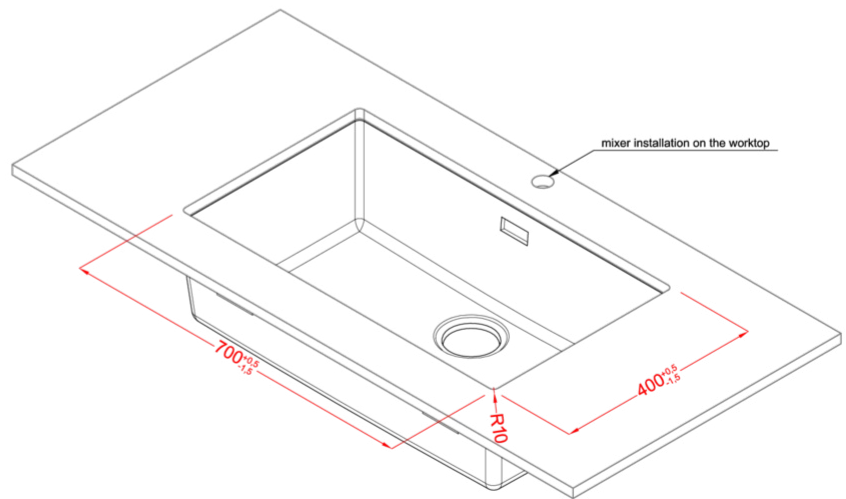
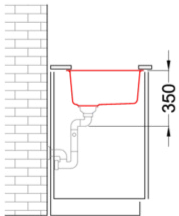
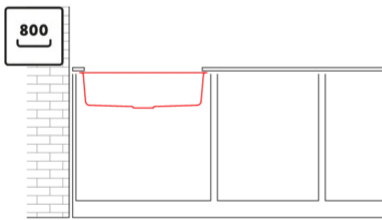
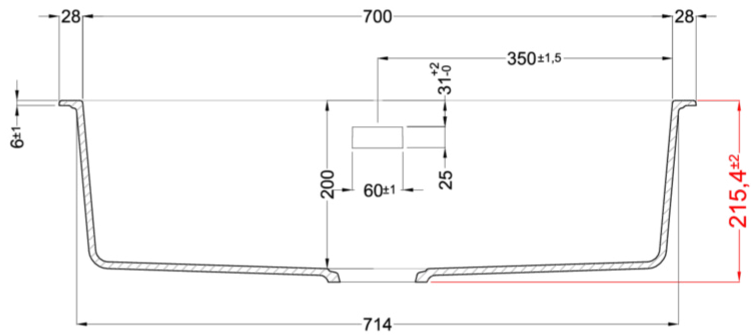
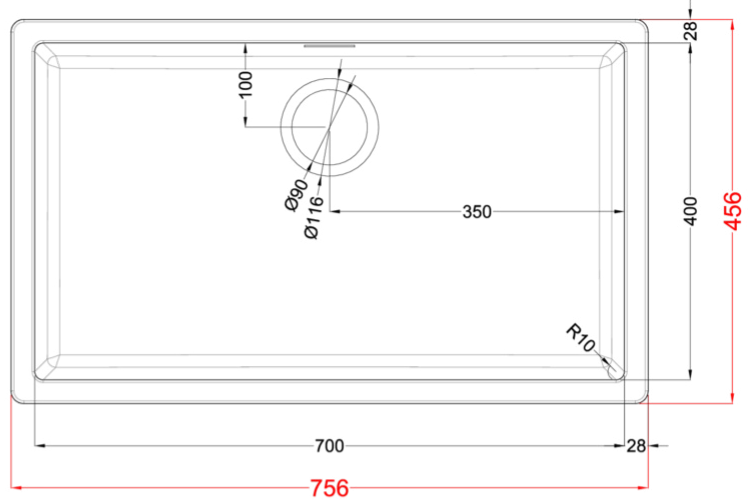
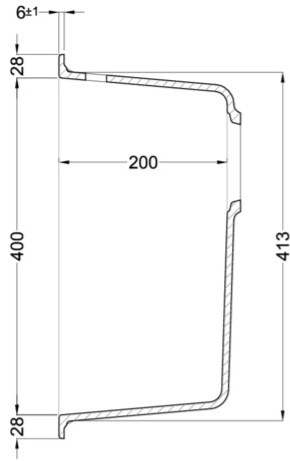


ZEN 130

general tolerances where not expressly communicated $\pm 0.2\%$
 connection dimensions according to UNI EN 695





ZEN 130 UNDERMOUNT

general tolerances where not expressly communicated $\pm 0.2\%$
 connection dimensions according to UNI EN 695

