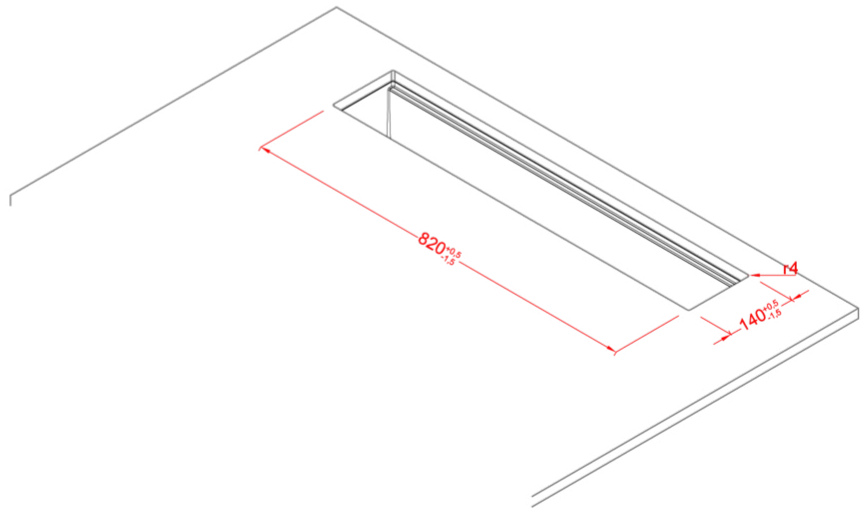
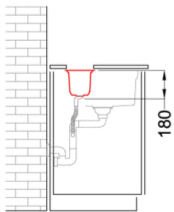
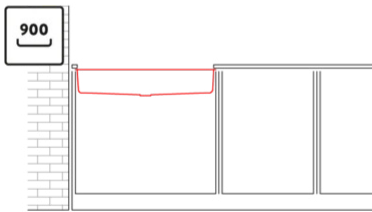
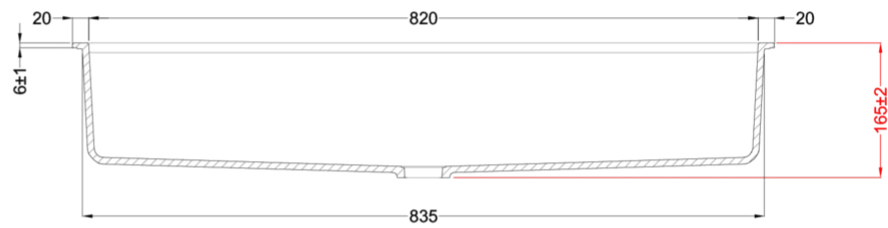
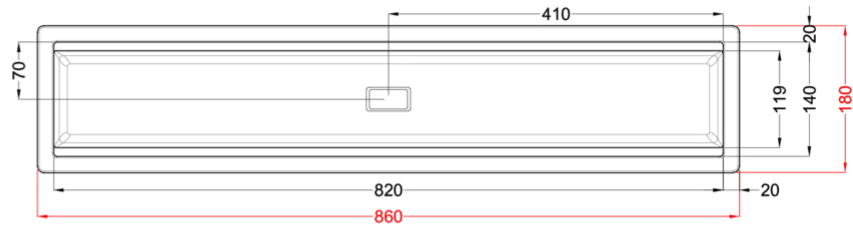
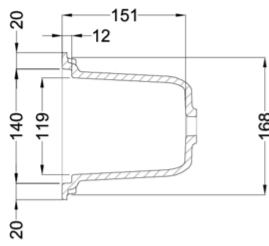


DIALOGO C86

general tolerances where not expressly communicated $\pm 0.2\%$
connection dimensions according to UNI EN 695





DIALOGO C86 UNDERMOUNT

general tolerances where not expressly communicated $\pm 0.2\%$
connection dimensions according to UNI EN 695

